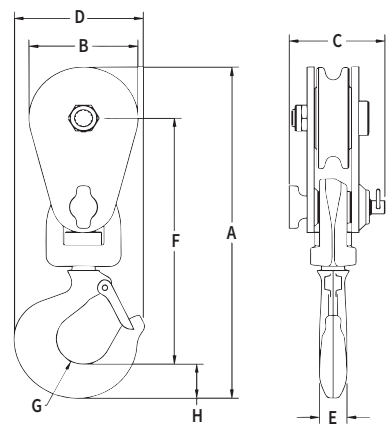


SNATCH BLOCK WITH HOOK FITTING, SINGLE SHEAVE, 2-12t



BLOCKS



- Opening feature permits easy insertion of rope without reeving, or while the block is suspended.
- Bolt for opening feature is retained, to ensure no lost bolts.
- Forged steel swivel tees, yokes and hooks.
- Furnished with a latch installed.
- Can be furnished with bronze bushings or roller bearings.
- Center pin equipped with pressure lube fitting.
- All sizes feature sheave grooves suited for a range of wireline diameters.
- Meets or exceeds all requirements of ASME B30.26. Importantly, these blocks meet other critical performance requirements including fatigue life and material traceability, not addressed by ASME B30.26.
- 416 alloy snatch blocks feature a significant reduction in weight compared to snatch blocks made of non-alloy materials.
- L-170 snatch blocks (with shackle or hook) feature an easy-to-open bolt design. The retaining bolt is released by rotating the fitting assembly, no tools required.
- Crosby's Engineered Solutions Group is ready to discuss your requirements and help select or develop the ideal block for your application.
- Visit thecrosbygroup.com/engineeredolutions for more information.



APPLICATION AND WARNING INFORMATION
SECTION 17

Working Load Limit (t)	Wire Rope Diameter (in)	Sheave Diameter (in)	Bearing Code	Weight Each (lb)	Catalog No.	Stock No.	Dimensions (in)							
							A	B	C	D	E	F	G	H
2 metric tons														
2	5/16 - 3/8	3	BB	5	418	108038	9.74	3.00	2.64	3.59	0.75	7.24	0.75	1.00
4 metric tons														
4	3/8 - 1/2	4.5	BB	12	418	108065	14.12	4.24	3.13	5.24	1.00	10.13	0.94	1.87
5 metric tons														
5	3/8 - 1/2 ‡	4	BB	11	L-170	599800	14.62	4.56	2.94	5.24	1.00	10.50	0.94	1.87
5	3/8 - 1/2 ‡	4	RB	11	L-170	599819	14.62	4.56	2.94	5.24	1.00	10.50	0.94	1.87
6 metric tons														
6*	3/8 - 1/2	5	BB	13	L-160	599506	14.56	5.12	3.69	5.24	1.00	10.13	0.94	1.87
6*	3/8 - 1/2	5	RB	13	L-160	599515	14.56	5.12	3.69	5.24	1.00	10.13	0.94	1.87
7 short Tons														
7T*	3/4 - 7/8	6	BB	28	C-720	280010	16.14	6.00	3.81	6.27	1.44	11.33	1.25	1.61
8 metric tons														
8	5/8 - 3/4	6	BB	27	418	108127	18.95	6.00	4.19	6.81	1.56	13.55	1.31	2.41
8	5/8 - 3/4	6	RB	27	418	108154	18.95	6.00	4.19	6.81	1.56	13.55	1.31	2.41
8	5/8 - 3/4	8	BB	33	418	108225	21.01	8.12	4.19	6.81	1.56	14.54	1.31	2.41
8	5/8 - 3/4	8	RB	33	418	108252	21.01	8.12	4.19	6.81	1.56	14.54	1.31	2.41
8	5/8 - 3/4	10	BB	41	418	108323	23.08	10.12	4.19	6.81	1.56	15.61	1.31	2.41
8	5/8 - 3/4	10	RB	41	418	108350	23.08	10.12	4.19	6.81	1.56	15.61	1.31	2.41
8	5/8 - 3/4	12	BB	48	418	108421	25.89	12.12	4.16	6.81	1.56	17.42	1.31	2.41
8	5/8 - 3/4	12	RB	48	418	108458	25.89	12.12	4.16	6.81	1.56	17.42	1.31	2.41
8	5/8 - 3/4	14	BB	55	418	108528	27.39	14.12	4.19	6.81	1.56	17.92	1.31	2.41
8	5/8 - 3/4	14	RB	55	418	108546	27.39	14.12	4.19	6.81	1.56	17.92	1.31	2.41
12 metric tons														
12*	5/8 - 3/4	5.75	BB	29	L-160	599560	19.99	6.00	4.19	7.88	1.56	14.37	1.44	2.62
12*	5/8 - 3/4	5.75	RB	29	L-160	599579	19.99	6.00	4.19	7.88	1.56	14.37	1.44	2.62
12	3/4 - 7/8	6	BB	26	416	193427	19.89	6.00	4.19	7.88	1.56	14.27	1.44	2.62
12	3/4 - 7/8	6	RB	26	416	193472	19.89	6.00	4.19	7.88	1.56	14.27	1.44	2.62
12	3/4 - 7/8	8	BB	33	416	193490	21.95	8.12	4.19	7.88	1.56	15.27	1.44	2.62
12	3/4 - 7/8	8	RB	33	416	193542	21.95	8.12	4.19	7.88	1.56	15.27	1.44	2.62
12	3/4 - 7/8	10	BB	41	416	193613	24.02	10.12	4.19	7.88	1.56	16.34	1.44	2.62
12	3/4 - 7/8	10	RB	41	416	193677	24.02	10.12	4.19	7.88	1.56	16.34	1.44	2.62

4:1 Design Factor. *3.5:1 Design Factor.. ‡ Special Dual Groove Sheave also accepts 1-1/4" Manilla Rope