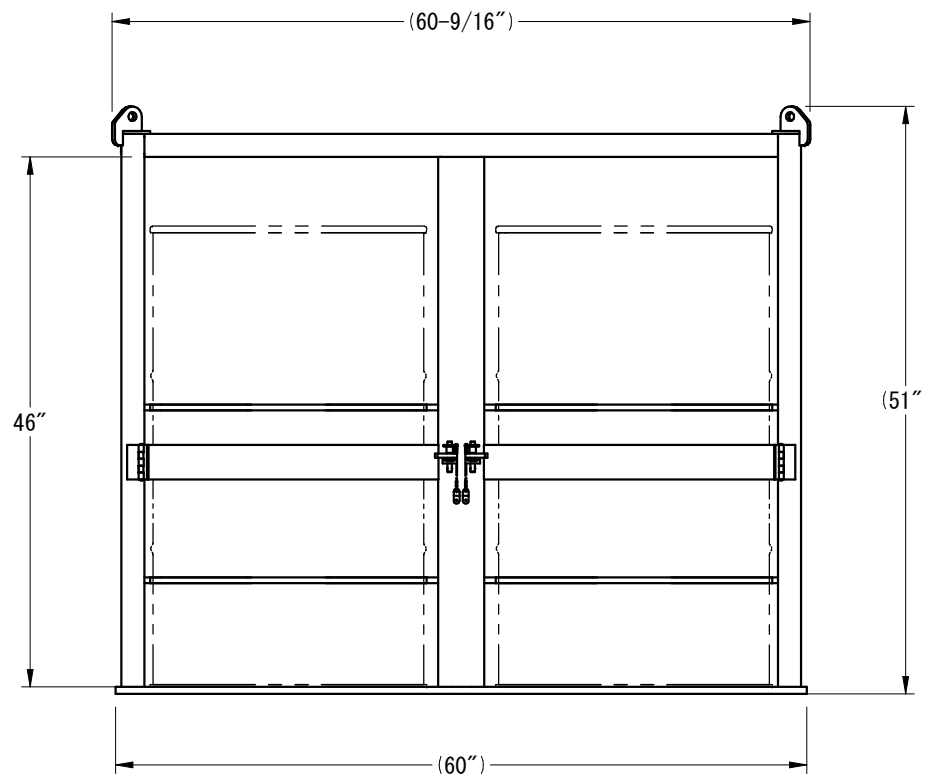
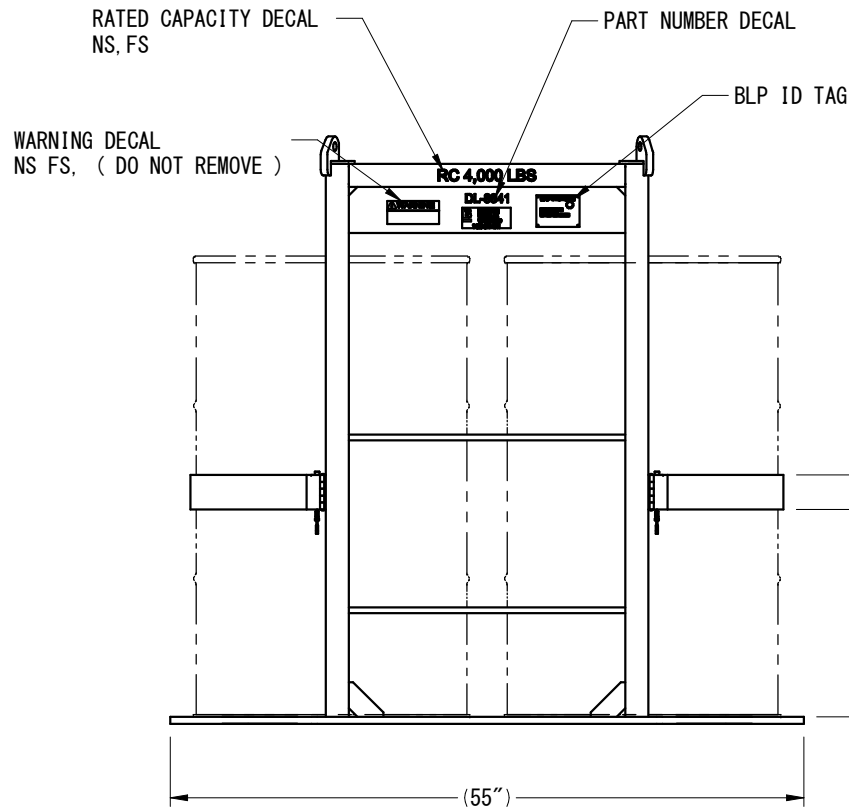
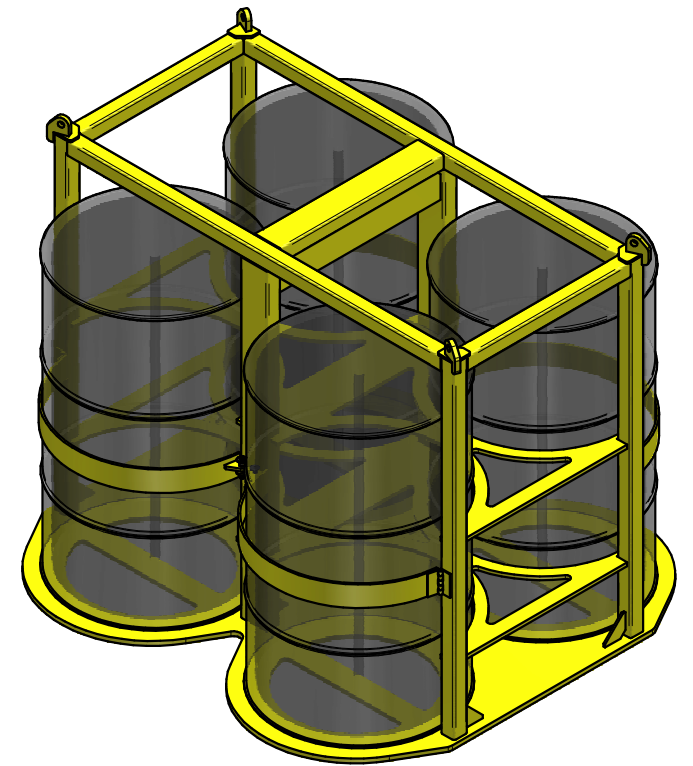
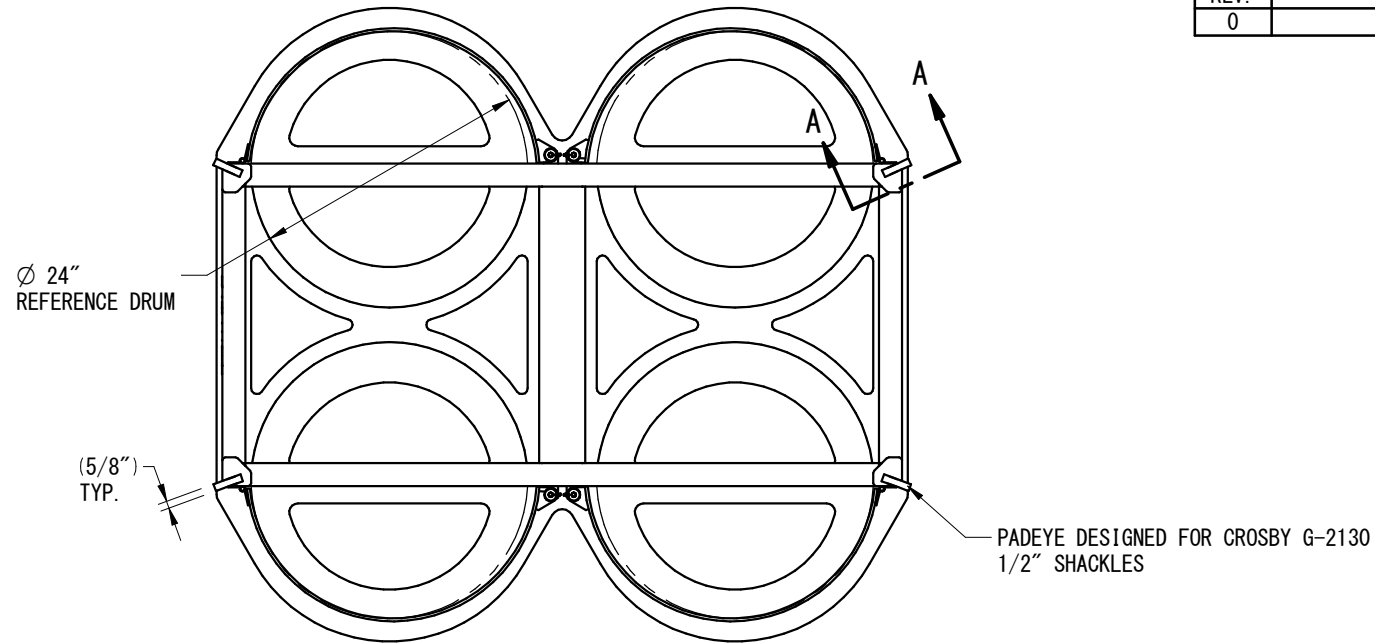
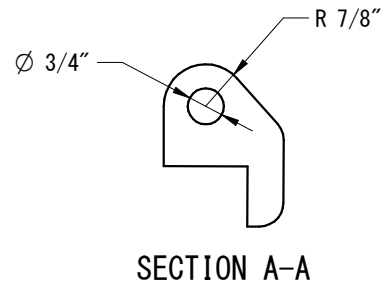


\* NOTE  
 KEEP LIFTING LOAD (CENTER OF GRAVITY) CENTERED AND SYMMETRICAL TO TOP LIFTING LUG AT ALL TIMES.  
 ONLY QUALIFIED PERSONNEL SHOULD USE THIS DEVICE.  
 SAFE RIGGING & LIFTING PRACTICES SHALL BE USED AT ALL TIMES.  
 CAUTION AVOID PINCH POINTS.  
 DO NOT MODIFY THIS DEVICE OR CHANGE THE RATED CAPACITY WITHOUT CONSENT OF BISHOP LIFTING PRODUCTS.

REVISION HISTORY			
REV.	DESCRIPTION	DATE	APPROVED
0	PRELIMINARY	10-03-18	RE



DRAWING APPROVAL  
 BY \_\_\_\_\_  
 DATE \_\_\_\_\_  
 \_\_\_\_\_ AS DRAWN \_\_\_\_\_ AS NOTED

**GENERAL NOTES:**

- WELDING PER AWS D1.1 AND D14.1. ALL WELD PROCESS UNLESS OTHERWISE NOTED- FCAW.
- BREAK ALL SHARP EDGES AND CORNERS UNLESS OTHERWISE SPECIFIED APPROX 1/8.
- DESIGN OF STRUCTURAL, PERFORMANCE, & SAFETY AS PER ASME/ANSI B30.20 & BTH -1. SERVICE CLASS 0 DESIGN CATEGORY B. DESIGN TEMP. 25 DEG F TO 150 DEG F.
- RATED CAPACITY OF THIS DEVICE SHALL BE 4,000 LBS.
- COATING SYSTEM SHALL CONSIST OF ONE PRIME COAT AND YELLOW ENAMEL TOP COAT.
- ESTIMATED UNIT WEIGHT OF THIS DEVICE SHALL BE 750 LBS.
- MEASUREMENTS OF LENGTH TO BE IN INCHES UNLESS OTHERWISE NOTED.
- TESTING SHALL BE PERFORMED AS PER BLP PROCEDURE & ASME B30.20 TO 1.25 X RATED CAPACITY.
- DATA PLATES/DECALS OR STAMPS SHALL BE COMPLETED & PLACED ON DEVICE AS PER B30.20 IN LOCATIONS AS SHOWN.

TOLERANCE UNLESS NOTED	CHECK OFF		
	ACTION	APP.	DATE
ALL FRACTIONAL ± 1/16"	DESIGN	RE	10-03-18
.0 ± 0.1	DRAWN	RE	10-03-18
.00 ± 0.02	ENG.	RE	10-03-18
.000 ± 0.005	CHK.	RL	10-03-18
ANGULAR TOLERANCE UNLESS NOTED ALL ANGULAR DIM. ± 1°			
UNLESS NOTED ALL MACHINED SURFACES PER ASME/ANSI B46.1 125 μin			

**B** 125 McCARTY DRIVE  
 HOUSTON, TEXAS 77029  
 WWW.LIFTING.COM · (713) 674-2266  
**BISHOP LIFTING PRODUCTS**

THIS DRAWING CONTAINS CONFIDENTIAL INFORMATION. DATA CONTAINED WITHIN IS TO BE USED FOR INTENDED PURPOSES ONLY. NO DUPLICATION OR DISCLOSURE ALLOWED WITHOUT PRIOR WRITTEN CONSENT FROM BISHOP LIFTING PRODUCTS INC. ALL DUPLICATES SHALL BE RETURNED OR DESTROYED IMMEDIATELY UPON REQUEST!

TITLE: **FOUR DRUM LIFTER 55 GAL RC 4,000 LBS**

THIRD ANGLE PROJECTION

DWG NO. DL-8841

EST. WT. 750 LBS

SHEET 1 OF 1

PROJECT: JOB # 8841

B SIZE SCALE: NTS

REV. 0