



PORTAGANTRY RAPIDE®

This product is patented

US.REIDLIFTING.COM

Our unique and innovative **PORTAGANTRY** ^{RAPIDE} is a height adjustable, foldable aluminum gantry designed for rapid deployment. Capable of an impressive load lifting capacity of up to 2200lb.

This system can be assembled and disassembled by just one person within a minute without the need for any tools. This system is the perfect solution for Confined Space Access scenarios due to its unique features and ability to lift equipment and personnel.

> Key features

- > OSHA compliant
- > ANSI Z359.18-17 compliant for fall protection applications
- > Can support goods and personnel lifting;
 - > Goods lifting capacity of up to 2200lb
 - > Personnel lifting capacity of up to 1100lb
- > Approved for up to 2 persons for fall protection applications
- > Integrated wheel design that folds with the frame for ease of transportation
- > Available in 3 height-adjustable versions (up to 9.5ft lifting eye height)
- > Can accommodate a range of beam lengths up to 13ft
- > Anodized for increased corrosion resistance
- > Engineered designs and tailor-made sections reduce weight, providing lightweight portability

> Configurations

The **PORTAGANTRY** ^{RAPIDE} is available in a range of configurations and can be customized in line with specific requirements (subject to capacity rating).



**550-2200LB
CAPACITY**



**1-2 PERSON
ASSEMBLY**



**73-137LB
COMPACT
STORAGE**



**ANSI
Z359.18-17
COMPLIANT**



**ATEX
CERTIFIED**

> Features & Performance

	PGR	PGRIT
Accreditations, Certifications & Standards		
OSHA Compliant	✓	✓
ANSI Z359.18-17	✓	✓
Capacity		
Maximum Goods Lifting [lb]	1100	2200
Maximum Personnel Lifting [lb]	550	1100
Fall Arrest [Persons]	1	2
Dimensions		
Minimum Height Under Beam	4' 9"	4' 8"
Maximum Height Under Beam	9' 7"	9' 5"
Beam Options		
Beam Span 6' 7"	✓	✓
Beam Span 7' 7"	✓	✗
Beam Span 9' 10"	✗	✓
Beam Span 13' 1"	✓	✓
Trolley Options		
Master Link	✓	✓
Close Coupled	✓	✓
Sheave Carrier	✓	✓
Standard Features		
Winch Capable	✓	✓
Foot Adjustment [4"]	✓	✓
Foldable	✓	✓
Transport Wheel	✓	✓
Assembly < 60sec	✓	✓
Finishes		
Anodized	✓	✓
316SS Fixings	Optional	Optional
Marine Spec	Optional	Optional

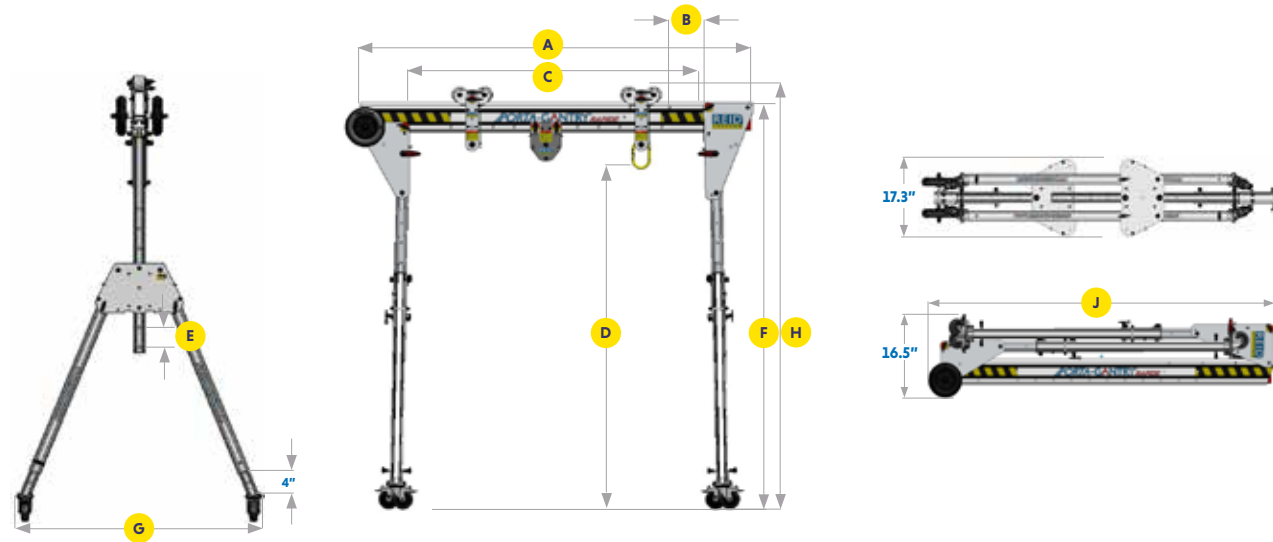
Dimensions in the table are approximate values. For more accurate details please refer to the Dimension Table.

All line items marked with a '✓' come as standard. All line items marked with a '✗' are not available.

All line items marked with 'optional' are available as an option and may incur additional costs.

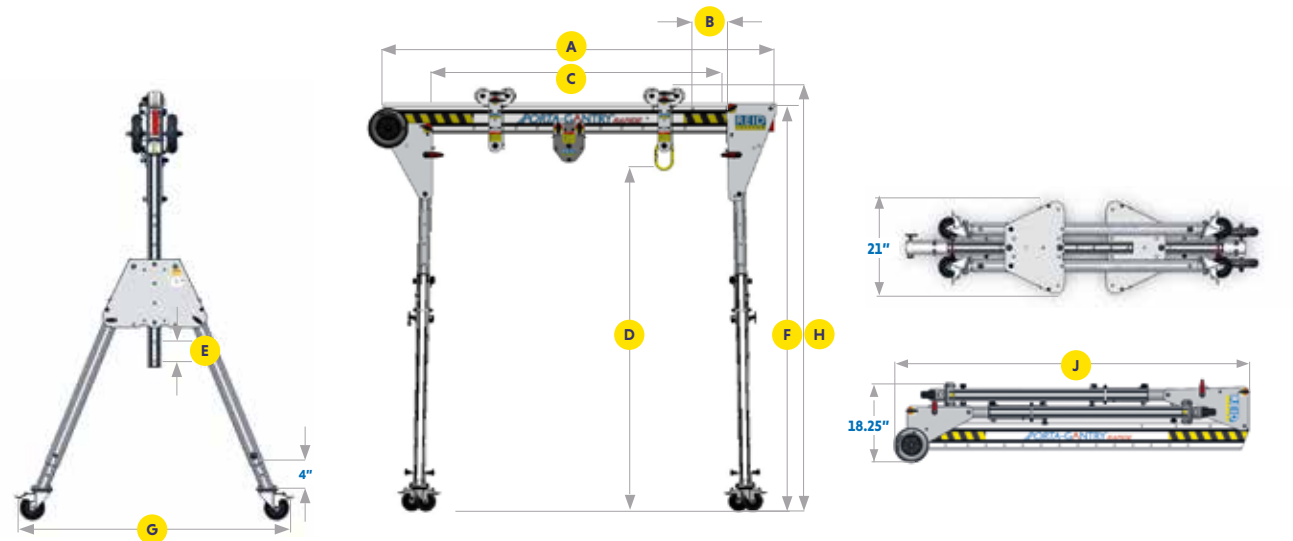
PORTAGANTRY® RAPIDE®

- A** Beam length
- B** Beam adjustment
- C** Clear operating span
- D** Height to lifting eye
- E** Height increment
- F** Height to top of beam
- G** Width
- H** Height to top of roller
- J** Folded dimensions



PORTAGANTRY® RAPIDE IT

- A** Beam length
- B** Beam adjustment
- C** Clear operating span
- D** Height to lifting eye
- E** Height increment
- F** Height to top of beam
- G** Width
- H** Height to top of roller
- J** Folded dimensions



	Product Code	Dimensions											Capacity			Unit Weight									
		A Beam Length	B	CMin	CMax	DMin	DMax	E	FMin	FMax	G	HMin	HMax	J	Goods Capacity [lb]	Fall Arrest Capacity** No. of Person(s)	Personnel Positioning** [lb]	[lb]							
PGR	US-PGRS20J	6' 6¾"	2x8"	3' 7¼"	4' 11"	4' 9"	6' 8¾"	6x4"	5' 10"	7' 9½"	3' 9½"	6' 1¼"	8' ¾"	6' 10"	1100	1	550	73							
	US-PGRS23J	7' 6½"	3 x 8"	3' 11¼"	5' 10¾"									7' 9¾"	880	1	440	77							
	US-PGRM20J	6' 6¾"	2x8"	3' 7¼"	4' 11"	4' 9¼"	7' ¾"	7x4"	5' 10"	8' 1¾"	3' 11¾"	6' 1¼"	8' 5"	6' 10"	880	1	440	77							
	US-PGRM23J	7' 6½"	3 x 8"	3' 11¼"	5' 10¾"									7' 9¾"				79							
PGR1T	US-PGR1TS20	6' 6¾"	2x8"	3' 7½"	4' 11¼"	4' 8¼"	6' 4"	5x4"	5' 11¾"	7' 7½"	4' 2"	6' 3"	7' 10¾"	6' 9¾"	2200	2	1100	99							
	US-PGR1TS30	9' 10"	3 x 8"	6' 2½"	8' 2½"									10' 1¼"				2	117						
	US-PGR1TS40	13' 1½"	3 x 8"	6' 2½"	11' 6"									13' 4½"				1	128						
	US-PGR1TM20	6' 6¾"	2x8"	3' 7½"	4' 11¼"	5' 8½"	8' 0"	7x4"	6' 9¼"	9' ¾"	4' 10½"	7' ½"	9' 4"	7' 2½"				2200	2	1100	108				
	US-PGR1TM30	9' 10"	3 x 8"	6' 2½"	8' 2½"									10' 1¼"							2	119			
	US-PGR1TM40	13' 1¾"	3 x 8"	6' 2½"	11' 6"									13' 4½"							1	130			
	US-PGR1TT20*	6' 6¾"	2x8"	1' 11½"	3' 5¼"	6' 6"	9' 5½"	9x4"	7' 6½"	10' 6"	5' 6¾"	7' 9¾"	10' 9¾"	9' 3½"							2200	1	1100	117	
	US-PGR1TT30*	9' 10"	3 x 8"	4' 7½"	6' 7½"									10' 1¼"										1	128
	US-PGR1TT40*	13' 1½"	3 x 8"	7' 10"	9' 9½"									13' 4½"										1	137

*Trolley stops fitted to beam **Ratings using ANSI standards. Contact REID for other standards.