



 TDAVIT®

This product is patented

US.REIDLIFTING.COM

Our TDAVIT is lightweight, portable, and can be custom-designed and manufactured to specifically meet our customers' individual needs. Truly pioneering, it offers a lifting capacity of up to 1100lb and 360° rotation under a full load.

> Key features

- > OSHA compliant
- > Includes an anchor point for operator safety
- > Goods lifting capacity of up to 1100lb
- > Can be operated and assembled by one person, no tools required
- > Can be rotated 360° under a full load
- > Designed with a universal kingpin suitable for all REID sockets
- > A variety of attachments for a range of applications
- > Clean, anodized finish for increased corrosion resistance
- > Engineered designs and tailor-made sections reduce weight, providing lightweight portability

> Configurations

The TDAVIT is available in a range of configurations and can be customized in line with specific requirements (subject to capacity rating).

Available in 3 beam lengths.



**1100LB
CAPACITY**



**1 PERSON
ASSEMBLY**



**CUSTOMIZED
& BAGGED**



**ATEX
CERTIFIED**

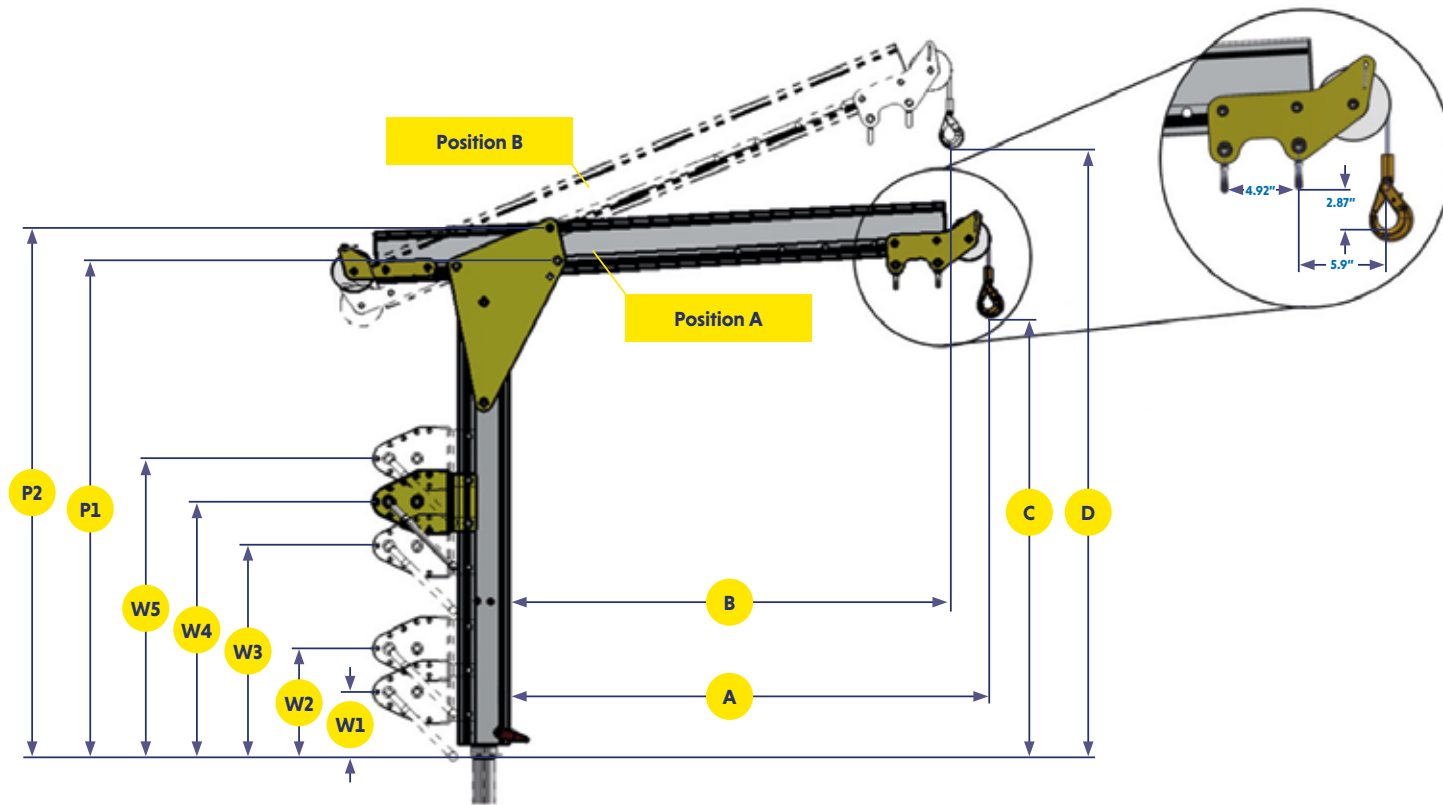
- > Due to the lightweight portability of the TDAVIT, why not consider fitting one to your truck with our range of socket options!

> Features & Performance

	BEAM 1	BEAM 2	BEAM 3
Accreditations, Certifications & Standards			
OSHA Compliant	✓	✓	✓
Capacity			
Maximum Goods Lifting [lb]	1100	1100	820
Maximum Personnel Lifting [lb]	550	550	410
Dimensions			
Maximum Reach	39"	47"	63"
Maximum Height	65"	80"	86"
Socket Diameter			
2 1/2"	✓	✓	✓
Socket Options			
Top Mount	✓	✓	✓
Flush Mount	✓	✓	✓
Side Mount	✓	✓	✓
Bridge Mount	✓	✓	✓
Pedestal	✓	✓	✓
Extension Post	✓	✓	✓
Standard Features			
Shackle Lifting Points	✓	✓	✓
Component Weight < 55lb	✓	✓	✓
Optional Extras			
Winch Capable	✓	✓	✓
Finishes			
Anodized	✓	✓	✓
316SS Fixings	Optional	Optional	Optional
Marine Spec	Optional	Optional	Optional

Dimensions in the table are approximate values. For more accurate details please refer to the Dimension Table. All line items marked with a '✓' come as standard. All line items marked with a 'X' are not available. All line items marked with 'optional' are available as an option and may incur additional costs.

- A** Reach | Position A
- B** Reach | Position B
- C** Height of Lift | Position A
- D** Height of Lift | Position B
- W1** Winch Position 1
- W2** Winch Position 2
- W3** Winch Position 3
- W4** Winch Position 4
- W5** Winch Position 5
- P1** Height of Pin Position 1
- P2** Height of Pin Position 2



Beam Option	1		2		3						
BEAM LENGTH	57"		65"		80 ¾"						
DIMENSION	A	B	A	B	A	B					
REACH	39¼"	36½"	47¼"	43¾"	63"	58¼"					
CAPACITY [LB]	1100		1100		820						
WEIGHT [LB]	26		29		35						
DIMENSION	C	D	C	D	C	D	Weight (lb)	Winch Position	P1	P2	
3	52"	64½"	52"	67½"	N/A	N/A	51	W1	7½"	58"	61¾"
								W2	12½"		
								W3	24½"		
								W4	29¾"		
								W5	34¾"		
4	N/A	N/A	64¾"	80"	64¾"	86"	55	W3	24½"	70¼"	74¼"
								W4	29¾"		
								W5	34¾"		

Column Option

Dimensions are to hook on Winched type.
*Radii achieved at =75% Capacity

All information herein is copyright protected by REID Lifting Ltd. All company and product names are Trade Mark and Trade Name protected and all REID Product IPR is protected under Patents, Patents Pending and/or Design Rights.

 Printed using environment friendly processes and materials.

REID Lifting Inc

7900 International Drive,
Suite 300,
Bloomington,
MN 55425

 +1-(888)-721-6411
 info@reidlifting.com
 us.reidlifting.com